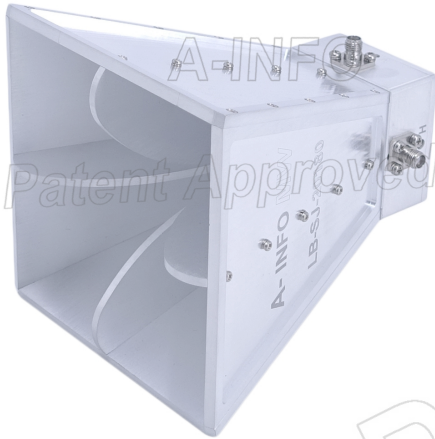


For reference only. See data sheet for the detailed specifications.

Technical Specification



Frequency Range(GHz)	4.0 – 18.0
Gain(dBi)	14 Typ.
Polarization	Dual Linear
3dB Beamwidth(deg)	E Plane: 66 - 28
	H Plane: 60 - 21
Cross Pol. Isolation(dB)	30 Typ. ; 20 Min.
Port to Port Isolation(dB)	35 Typ. ; 30 Min.
VSWR	1.5:1 Typ.
	2.0:1 Max.
Connector	SMA-Female or N-Female
Power Handling(W CW)	SMA-Female: 25 Max.
	N-Female: 25 Max.
Material	Al
Finish	Chemical Conversion Coating
Size(mm)	107.7 x 107.7 x 132
Net Weight(Kg)	0.45 Around

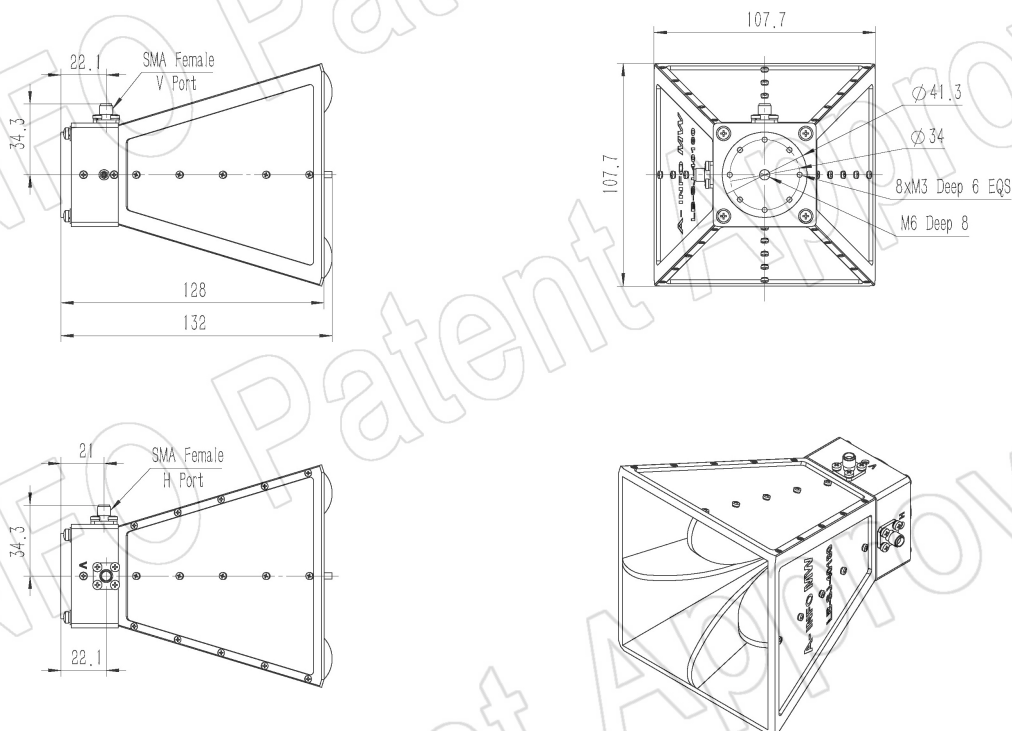
PATENT ID (China)

ZL201630458384.1, ZL202130737800.2

Outline Drawing (Size: mm)

SMA-Female Output (P/N: LB-SJ-40180-SF)

For N-Female output outline drawing, please contact A-INFO.



AINFO Inc.

China(Beijing):
China(Chengdu):
USA :

Tel: (+86) 10-6266-7326,
Tel: (+86) 28-8519-2786,
Tel: (+1) 949-639-9688,

(+86) 10-6266-7327
(+86) 28-8519-3044
(+1) 949-639-9608

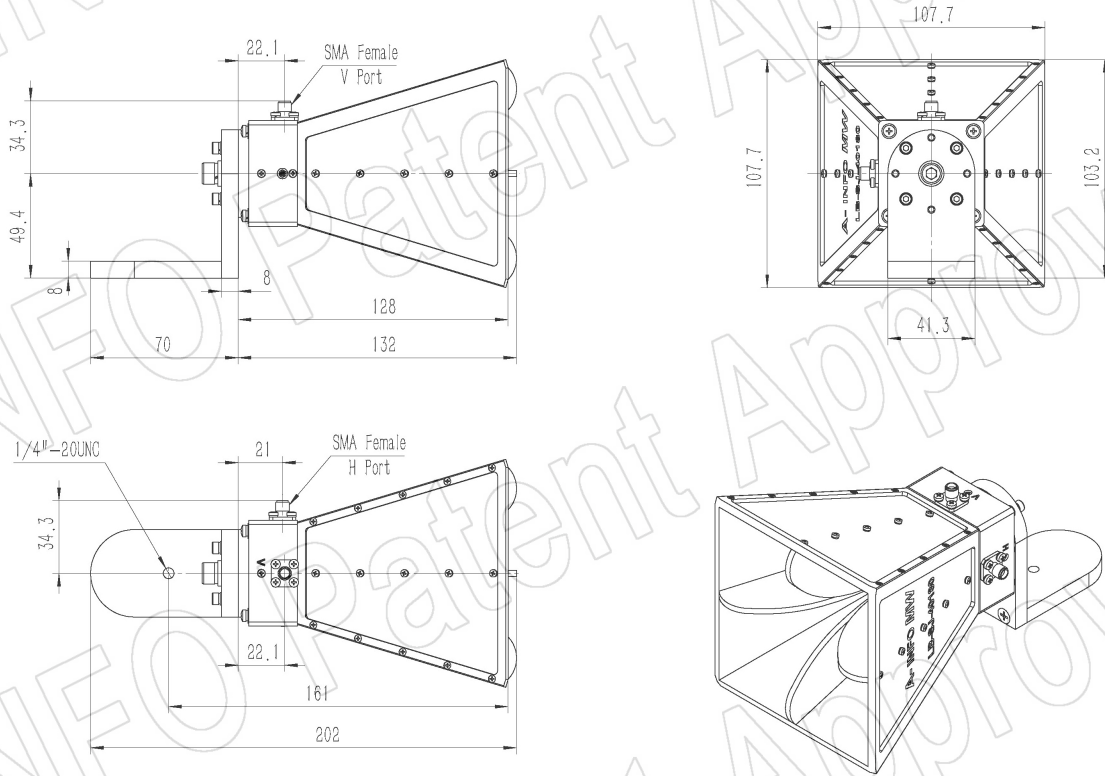
Page 1 of 11

Fax: (+86) 10-6266-7379
Fax: (+86) 28-8519-3068
Fax: (+1) 949-639-9670

Website: www.ainfoinc.com
Email: sales@ainfoinc.com

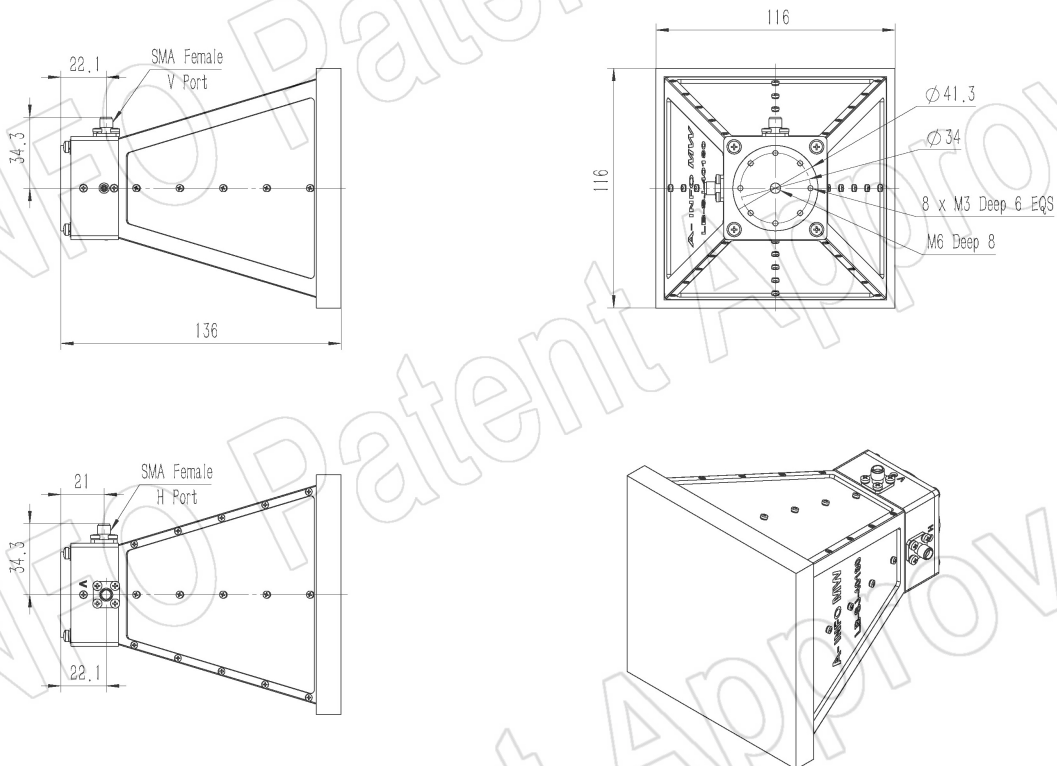
SMA-Female Output with L Type Mounting Bracket (Option, P/N: LB-20180-L)

For N-Female output outline drawing, please contact A-INFO.



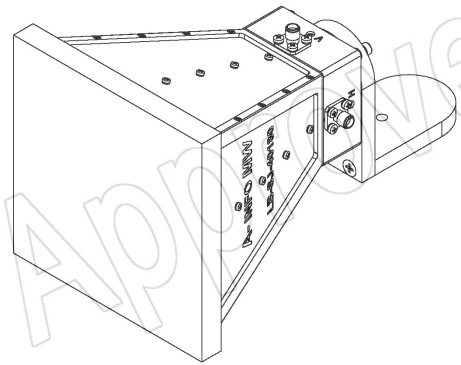
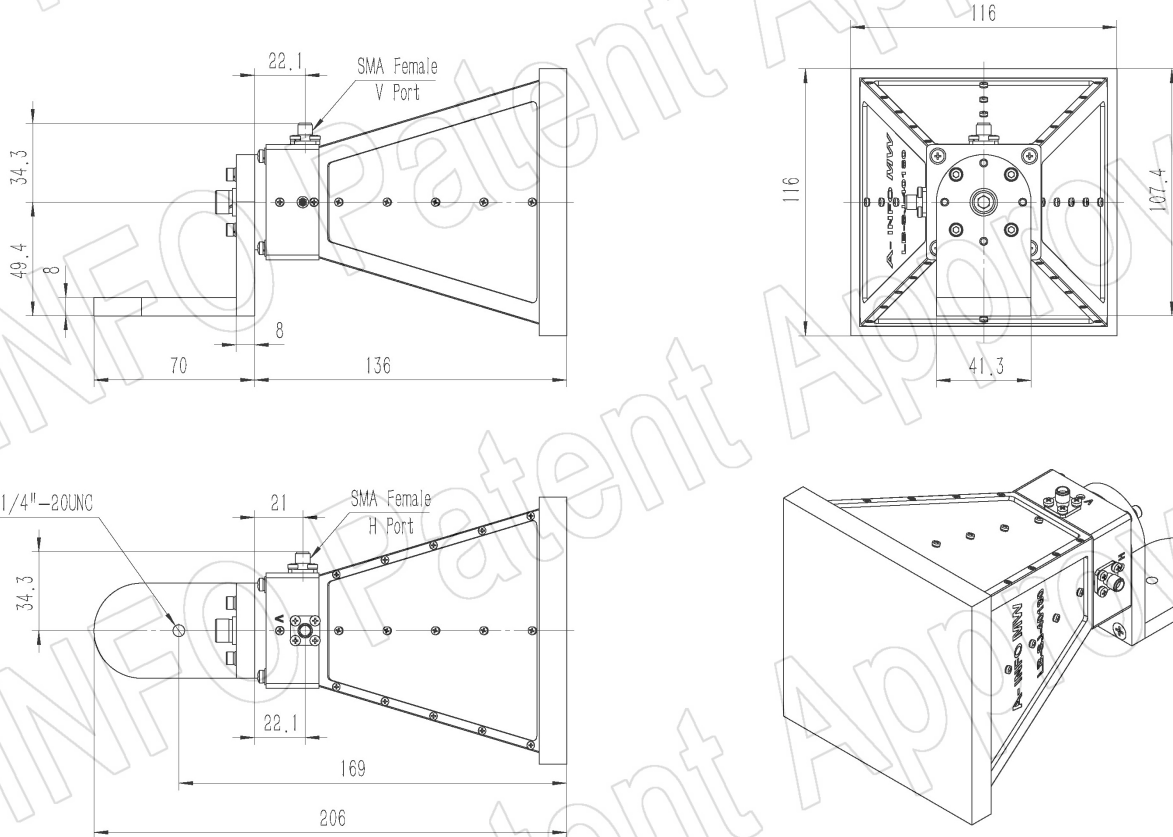
SMA-Female Output with Radome (Option, P/N: LB-SJ-40180-SFSP0, Outdoor Application)

For N-Female output outline drawing, please contact A-INFO.



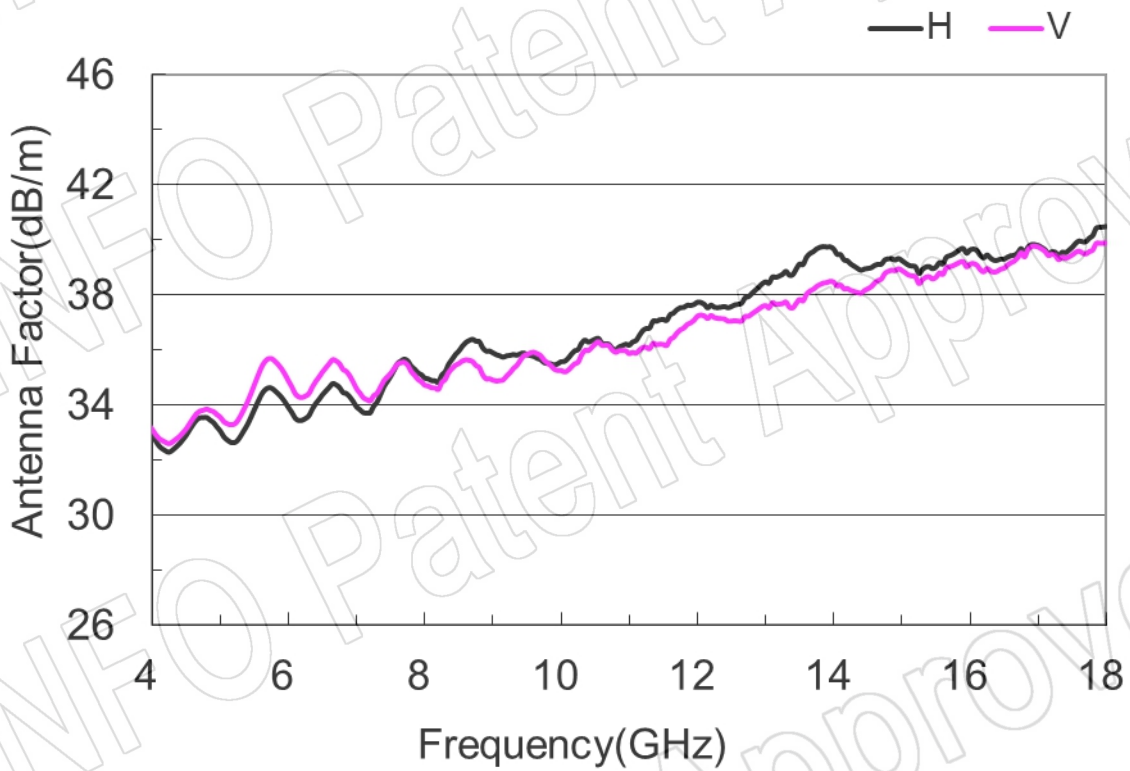
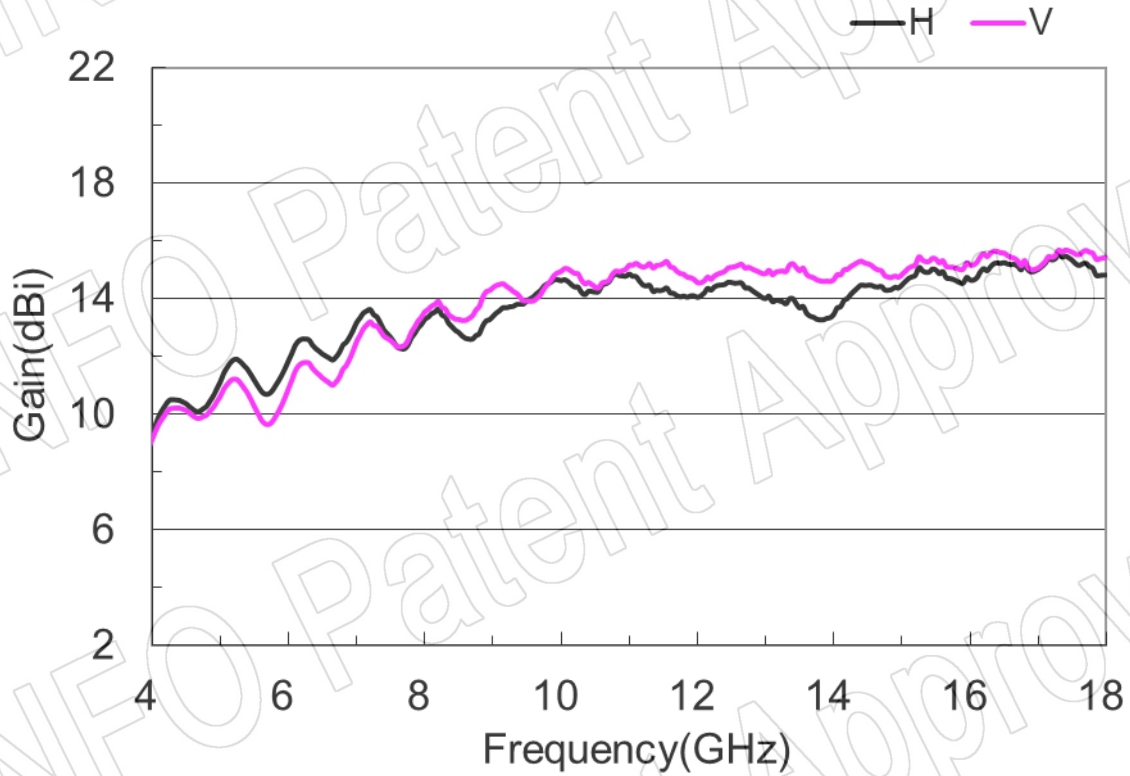
SMA-Female Output with L Type Mounting Bracket & Radome (Option, P/N: LB-20180-L & LB-SJ-40180-SFSP0, Outdoor Application)

For N-Female output outline drawing, please contact A-INFO.

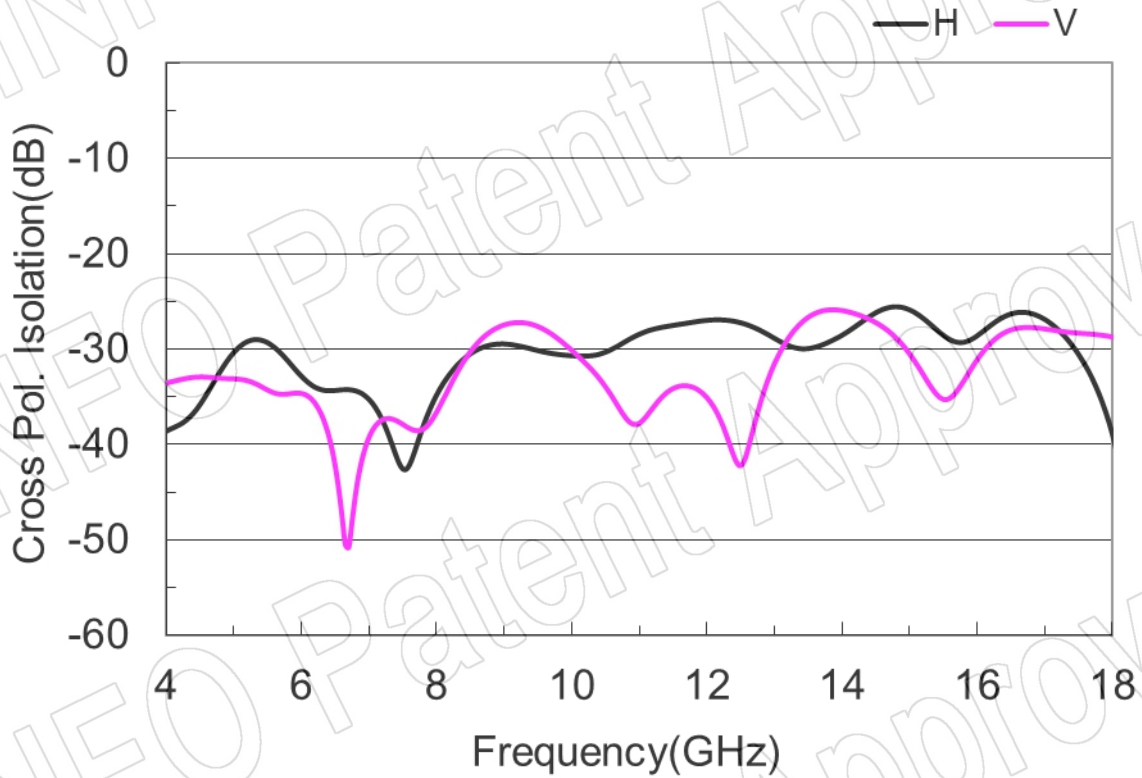


Test Results

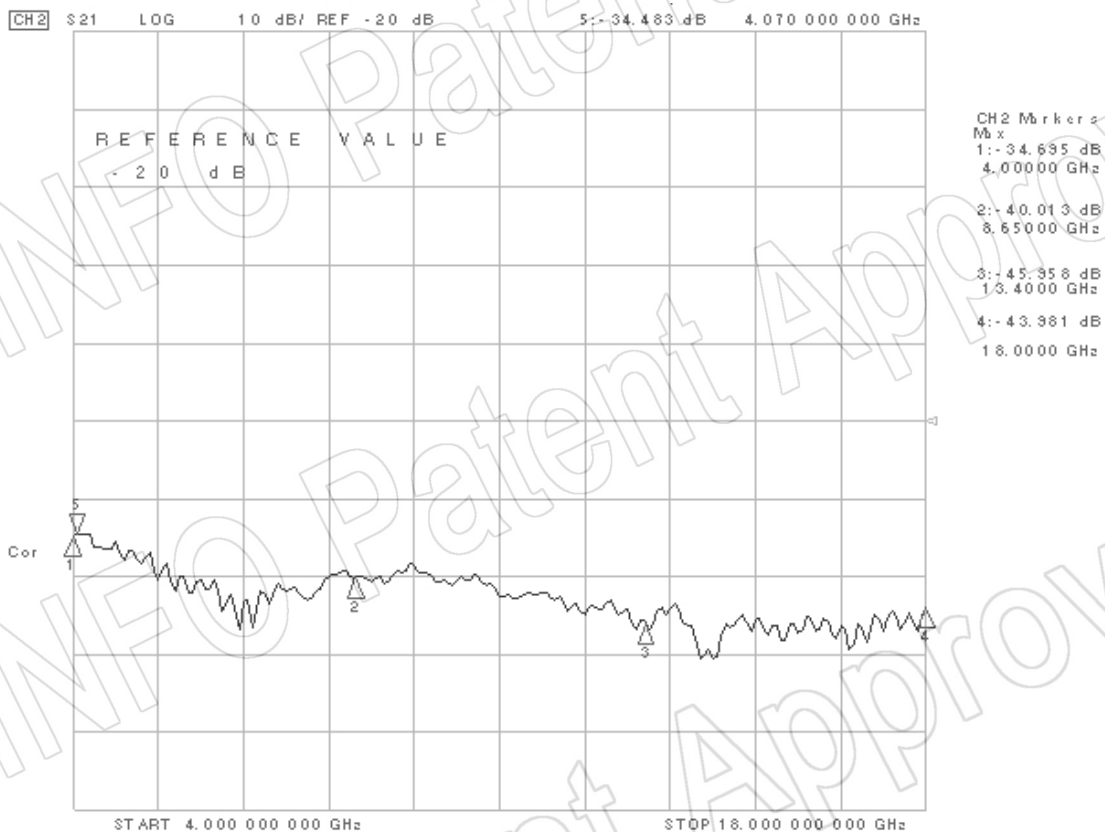
1. Gain & Antenna Factor



2. Cross Polarization Isolation

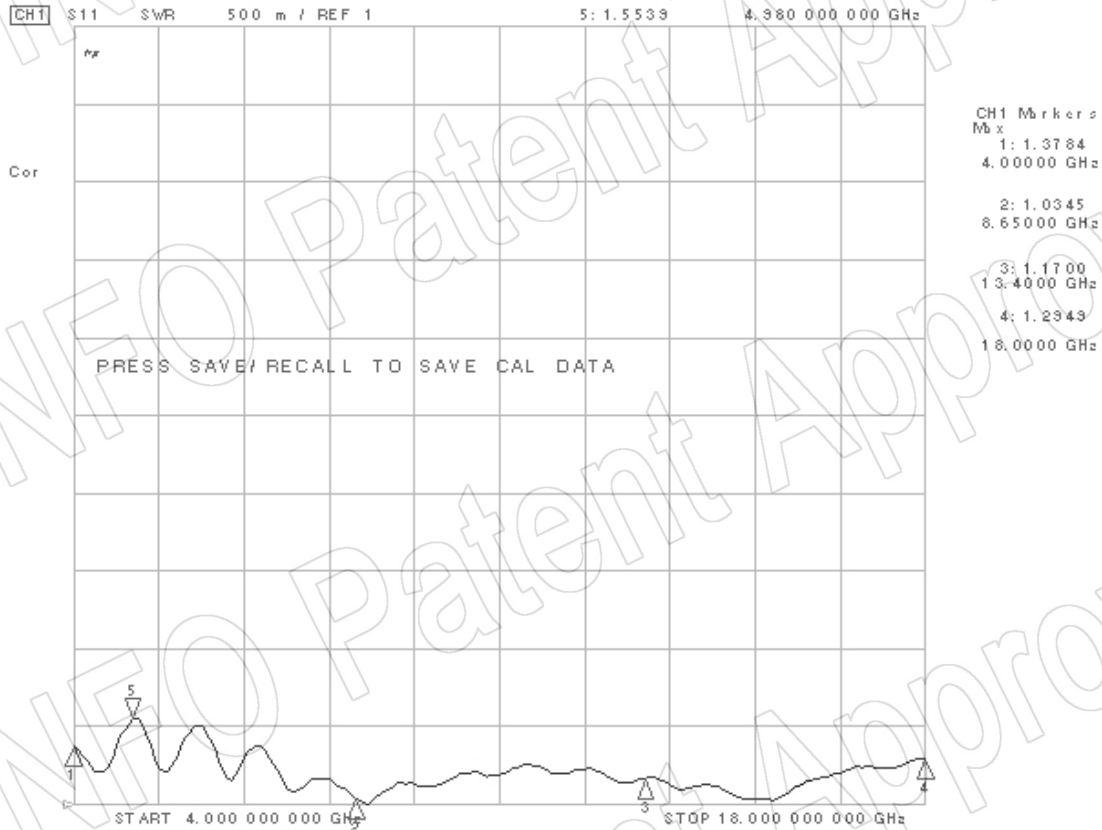


3. Port to Port Isolation

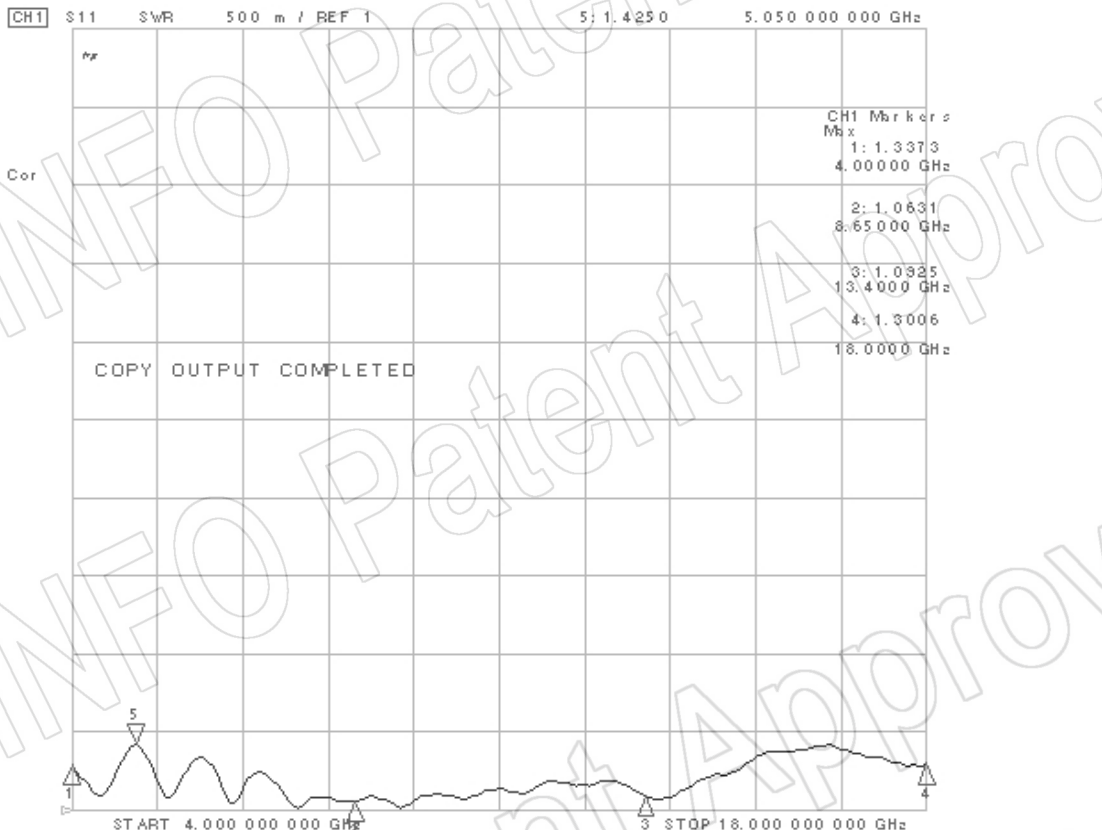


4. VSWR

Port-H



Port-V



5. Pattern

